




# Unsere Schrumpffutter und Anwendungen

## Our Shrink Chucks and Applications



Neben höchstem Qualitätsstandard in der Fertigung legen wir größten Wert auf intensive Anwendungsberatung, Kundenbetreuung und Lösungskompetenz. Werkzeuge werden vielfach nach Anforderungen unserer Kunden individuell konzipiert. While providing the highest quality standards in production, we strongly emphasize application support, customer relations, and competency for solutions. Separate from our standard range are individually designed chucks for the needs of our customers. Sustainable solutions from Bilz offer unequalled benefits worldwide

### EINZIGARTIGE NACHHALTIGKEIT UNIQUE SUSTAINABILITY

 <p><b>Mensch</b></p> <p>Unsere Lösungen bieten Gesundheitsschutz und Arbeitssicherheit durch ein sauberes Arbeitsumfeld und minimieren das Risiko von Hauterkrankungen.</p>	 <p><b>Ökonomie</b></p> <p>Unsere Lösungen stehen für reduzierte Beschaffungs- und Wartungskosten, keine Entsorgungskosten und höhere Standzeiten.</p>	 <p><b>Umwelt</b></p> <p>Unsere Lösungen senken Kosten um bis zu 19%, reduzieren den Verbrauch enorm und die Sondermüllentsorgung entfällt.</p>
<p><b>Personnel safety</b></p> <p>Our solutions deliver employee protection and safety at work by maintaining a hazard-free working environment and minimizing skin problems.</p>	<p><b>Economy</b></p> <p>Our solutions stand for reduced sourcing and maintenance cost as well as reduced disposal issues and increased tool life.</p>	<p><b>Environment</b></p> <p>Our solutions reduce costs up to 19%, reduce the usage dramatically, and the expensive disposal of coolant is not needed.</p>



### MMS MQL

Wegen der sehr geringen Schmierstoffmenge ist es bei Minimalmengenschmierung (MMS) enorm wichtig, den Schmierstoff zielgenau und bedarfsgerecht dosiert an der Zerspanstelle aufzubringen. Due to the extremely low volume of lubricant with Minimal Quality Lubricant (MQL) technology, it's very important to deliver the lubricant precisely on target and with the exact quantity needed directly to the point of the tool.

Die neue MMS-fähige Spannmittelgeneration von Bilz löst diese beiden Herausforderungen an das Spannmittel zu 100%:

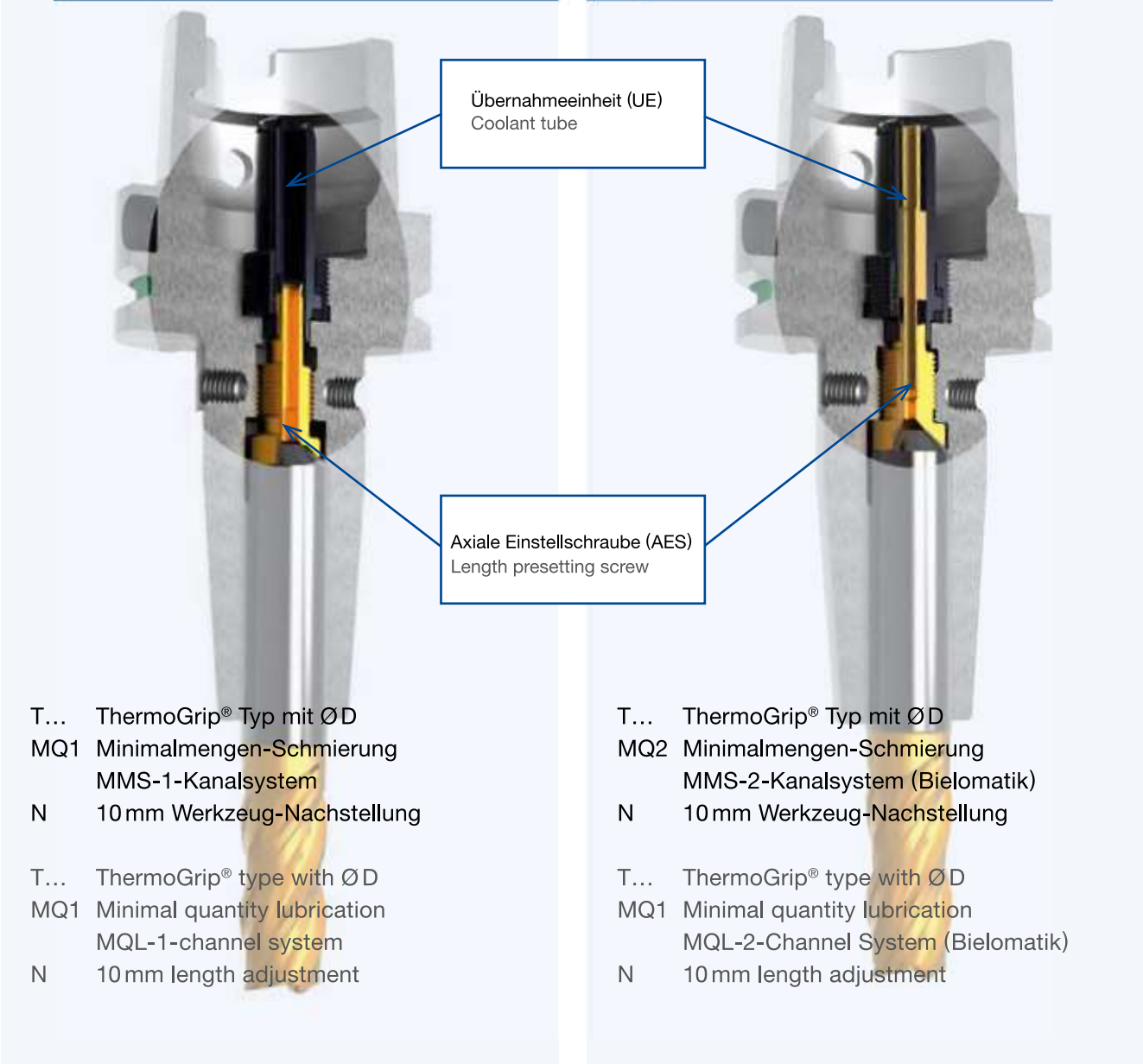
The new generation of Bilz MQL synchro chucks can completely overcome both of these challenges as a toolholder:

- **Optimale Dichtigkeit**  
für einen verlustfreien Aerosolstrom ohne Versackungen oder Austritt von Schmiermittel aus dem Spannfutter in Form von feinem Tröpfchennebel
- **Optimized sealed design**  
provides loss-free lubricant delivery.  
The design of the toolholder guarantees that all lubricant is applied immediately, no lubricant loss due to flow problems.
- **Sofortige Schmierstoffzufuhr**  
für einen verzögerungsfreien Durchfluss des Aerosols ohne Druckabfall bis an die Werkzeugspitze
- **Immediate lubricant**  
delivery for delay-free flow of the aerosol without any loss in pressure up to the tool tip

Ihr Nutzen: Sie arbeiten mit optimaler Dichtigkeit sowie mit Schmierstoff von der ersten Sekunde an – verlustfrei!  
Your advantage: with optimal leak prevention, we deliver lubricant from the very first second – loss-free.

**1** 1-Kanal-System lizenziert nach Horkos Corp.  
1-Channel system licence of Horkos Corp.

**2** 2-Kanal-System  
2-Channel System



- T... ThermoGrip® Typ mit ØD
- MQ1 Minimalmengen-Schmierung  
MMS-1-Kanalsystem
- N 10mm Werkzeug-Nachstellung
  
- T... ThermoGrip® type with ØD
- MQ1 Minimal quantity lubrication  
MQL-1-channel system
- N 10mm length adjustment

- T... ThermoGrip® Typ mit ØD
- MQ2 Minimalmengen-Schmierung  
MMS-2-Kanalsystem (Bielomatik)
- N 10mm Werkzeug-Nachstellung
  
- T... ThermoGrip® type with ØD
- MQ1 Minimal quantity lubrication  
MQL-2-Channel System (Bielomatik)
- N 10mm length adjustment

Checkliste MMS unter [www.bilz.de](http://www.bilz.de) oder direkt per QR Code:  
Check list for MQL at [www.bilz.de](http://www.bilz.de) or direct via QR Code:

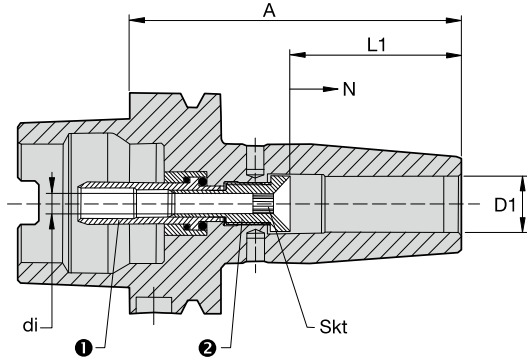
DE

EN





MMS 1-Kanal-System Schrumpffutter  
 MQL 1-Channel-System Shrink Chucks

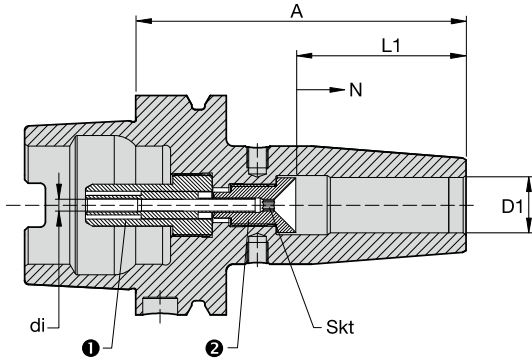


Schrumpffutter Shrink Chucks					Übernahmeeinheit Supply unit ①			Axiale Einstellschraube Setting screw ②				
D1 [mm]	A [mm]	L1 [mm]	Bezeichnung Designation	Ident No.	di	UE-Type BILZ	Ident No.	Skt	AES-Type BILZ	Ident No.		
6	80	36	T0600-MQ1-80/HSK-A 63/0001	5056416	4,6	UE6-HSK63	5050204	4	T0600-3B-63	5056199		
8	80	36	T0800-MQ1-80/HSK-A 63/0001	5050219					T0800-3B-63	5050206		
10	85	40	T1000-MQ1-85/HSK-A 63/0001	5050220					T1000-3B-63	5049429		
12	90	45	T1200-MQ1-90/HSK-A 63/0001	5058016				5,8	UE6-HSK63	5	T1200-3B-63	5056207
14	90	45	T1400-MQ1-90/HSK-A 63/0001	5050221							T1400-3B-63	5050207
16	95	48	T1600-MQ1-95/HSK-A 63/0001	5058017							T1600-3B-63	5056213
18	95	48	T1800-MQ1-95/HSK-A 63/0001	5058018							T1800-3B-63	5056219
20	100	50	T2000-MQ1-100/HSK-A 63/0001	5058019							T2000-3B-63	5049430
25	115	56	T2500-MQ1-115/HSK-A 63/0001	5058020							T2500-3B-63	5056216
32	120	60	T3200-MQ1-120/HSK-A 63/0001	5058021							T3200-3B-63	5057000
6	120	36	T0600-MQ1-120/HSK-A 63/0001	5074641	2,3	UE6-HSK63	5050204	2	T0600-3B-32	5056966		
8		36	T0800-MQ1-120/HSK-A 63/0001	5051301	3,45			3	T0800-3B-40	5051305		
10		40	T1000-MQ1-120/HSK-A 63/0001	5076833	4,6			4	T1000-3B-50	5050209		
12		45	T1200-MQ1-120/HSK-A 63/0001	5076835	5,8			5	T1200-3B-63	5056207		
14		45	T1400-MQ1-120/HSK-A 63/0001	5076836				T1400-3B-63	5050207			
16		48	T1600-MQ1-120/HSK-A 63/0001	5076837				T1600-3B-63	5056213			
18		48	T1800-MQ1-120/HSK-A 63/0001	5076838				T1800-3B-63	5056219			
20		50	T2000-MQ1-120/HSK-A 63/0001	5076840				T2000-3B-63	5049430			
6	160	36	T0600-MQ1-160/HSK-A 63/0001	5054945	2,3	UE6-HSK63	5050204	2	T0600-3B-32	5056966		
8		36	T0800-MQ1-160/HSK-A 63/0001	5054946	3,45			3	T0800-3B-40	5051305		
10		40	T1000-MQ1-160/HSK-A 63/0001	5050222	4,6			4	T1000-3B-50	5050209		
12		45	T1200-MQ1-160/HSK-A 63/0001	5054947	5,8			5	T1200-3B-63	5056207		
14		45	T1400-MQ1-160/HSK-A 63/0001	5054948				T1400-3B-63	5050207			
16		48	T1600-MQ1-160/HSK-A 63/0001	5054949				T1600-3B-63	5056213			
18		48	T1800-MQ1-160/HSK-A 63/0001	5054950				T1800-3B-63	5056219			
20		50	T2000-MQ1-160/HSK-A 63/0001	5054951				T2000-3B-63	5049430			
25		56	T2500-MQ1-160/HSK-A 63/0001	5054952				T2500-3B-63	5056216			
32		60	T3200-MQ1-160/HSK-A 63/0001	5054953				T3200-3B-63	5057000			

Im Lieferumfang enthalten: Übernahmeeinheit & Einstellschraube  
 Delivery package: supply unit & setting screw



MMS 2-Kanal-System **Schrumpffutter**  
 MQL 2-Channel-System **Shrink Chucks**



Schrumpffutter Shrink Chucks				Übernahmeeinheit Supply unit				Axiale Einstellschraube Setting screw			
D1 [mm]	A [mm]	L1 [mm]	Bezeichnung Designation	Ident No.	di	UE-Type BILZ	Ident No.	Skt	AES-Type BILZ	Ident No.	
6	80	36	T0600-MQ2-80/HSK-A 63/0001	5043587	1,6	UE5-HSK63-50/1	5037176	1,5	T0600-2B-63/1	5037179	
			T0600-MQ2-80/HSK-A 63/0002	5043590	2,3	UE5-HSK63-50/2	5037289	2,0	T0600-2B-63/2	5041227	
8	80	36	T0800-MQ2-80/HSK-A 63/0001	5043818	1,6	UE5-HSK63-50/1	5037176	1,5	T0800-2B-63/1	5037263	
			T0800-M Q2-80/HSK-A 63/0002	5043819	2,3	UE5-HSK63-50/2	5037289	2,0	T0800-2B-63/2	5041243	
10	85	40	T1000-MQ2-85/HSK-A 63/0001	5043820	1,6	UE5-HSK63-50/1	5037176	1,5	T1000-2B-63/1	5041380	
			T1000-MQ2-85/HSK-A 63/0002	5043821	2,3	UE5-HSK63-50/2	5037289	2,0	T1000-2B-63/2	5037285	
12	90	45	T1200-MQ2-90/HSK-A 63/0001	5043823	1,6	UE5-HSK63-49/1	5043830	1,5	T1200-2B-63/1	5041379	
			T1200-MQ2-90/HSK-A 63/0002	5043824	2,3	UE5-HSK63-49/2	5039864	2,0	T1200-2B-63/2	5037301	
			T1200-MQ2-90/HSK-A 63/0003	5043825	3,4	UE5-HSK63-49/3	5038801	3,0	T1200-2B-63/3	5041250	
14	90	45	T1400-MQ2-90/HSK-A 63/0001	5043826	1,6	UE5-HSK63-49/1	5043830	1,5	T1400-2B-63/1	5041377	
			T1400-MQ2-90/HSK-A 63/0002	5043827	2,3	UE5-HSK63-49/2	5039864	2,0	T1400-2B-63/2	5041378	
			T1400-MQ2-90/HSK-A 63/0003	5043828	3,4	UE5-HSK63-49/3	5038801	3,0	T1400-2B-63/3	5037323	
16	95	48	T1600-MQ2-95/HSK-A 63/0001	5043934	1,6	UE5-HSK63-49/1	5043830	1,5	T1600-2B-63/1	5041376	
			T1600-MQ2-95/HSK-A 63/0002	5043935	2,3	UE5-HSK63-49/2	5039864	2,0	T1600-2B-63/2	5037356	
			T1600-MQ2-95/HSK-A 63/0003	5043936	3,4	UE5-HSK63-49/3	5038801	3,0	T1600-2B-63/3	5037325	
18	95	48	T1800-MQ2-95/HSK-A 63/0001	5043937	1,6	UE5-HSK63-49/1	5043830	1,5	T1800-2B-63/1	5041375	
			T1800-MQ2-95/HSK-A 63/0002	5043939	2,3	UE5-HSK63-49/2	5039864	2,0	T1800-2B-63/2	5041236	
			T1800-MQ2-95/HSK-A 63/0003	5043940	3,4	UE5-HSK63-49/3	5038801	3,0	T1800-2B-63/3	5037329	
20	100	50	T2000-MQ2-100/HSK-A 63/0002	5043953	2,3	UE5-HSK63-49/2	5039864	2,0	T2000-2B-63/2	5041382	
			T2000-MQ2-100/HSK-A 63/0003	5043954	3,4	UE5-HSK63-49/3	5038801	3,0	T2000-2B-63/3	5041400	
			T2000-MQ2-100/HSK-A 63/0004	5043955	4,6	UE5-HSK63-50/4	5037339	4,0	T2000-2B-63/4	5037338	
25	115	56	T2500-MQ2-115/HSK-A 63/0002	5043956	2,3	UE5-HSK63-54/2	5043968	2,0	T2500-2B-63/2	5041384	
			T2500-MQ2-115/HSK-A 63/0003	5043957	3,4	UE5-HSK63-54/3	5043969	3,0	T2500-2B-63/3	5041385	
			T2500-MQ2-115/HSK-A 63/0004	5043958	4,6	UE5-HSK63-54/4	5039132	4,0	T2500-2B-63/4	5037344	
32	120	60	T3200-MQ2-120/HSK-A 63/0002	5043965	2,3	UE5-HSK63-54/2	5043968	2,0	T3200-2B-63/2	5041386	
			T3200-MQ2-120/HSK-A 63/0003	5043966	3,4	UE5-HSK63-54/3	5043969	3,0	T3200-2B-63/3	5041387	
			T3200-MQ2-120/HSK-A 63/0004	5043967	4,6	UE5-HSK63-54/4	5039132	4,0	T3200-2B-63/4	5041388	

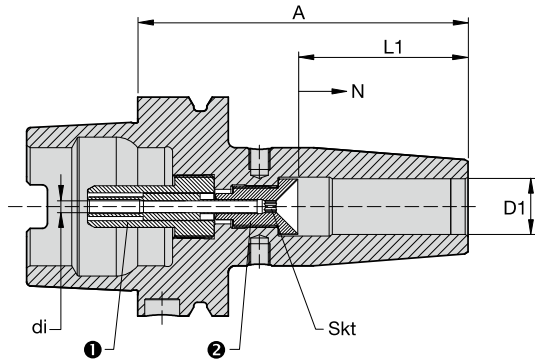
Im Lieferumfang enthalten: Übernahmeeinheit & Einstellschraube  
 Delivery package: supply unit & setting screw

MMS 2-Kanal-System MQL 2-channel system	
Rohrinnen Ø Tube bore Ø	Kreisfläche Circle area
di, mm	Ae, mm <sup>2</sup>
1,6	2,01
2,3	4,15
3,4	9,08
4,6	16,62

\*Hinweis Wuchtgüte siehe Seite 16 Balancing Information, page 16



MMS 2-Kanal-System **Schrumpffutter**  
 MQL 2-Channel-System **Shrink Chucks**



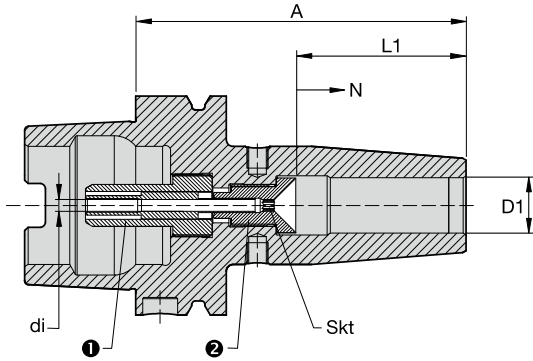
Schrumpffutter Shrink Chucks				Übernahmeeinheit Supply unit ①				Axiale Einstellschraube Setting screw ②		
D1 [mm]	A [mm]	L1 [mm]	Bezeichnung Designation	Ident No.	di	UE-Type BILZ	Ident No.	Skt	AES-Type BILZ	Ident No.
6	120	36	T0600-MQ2-120/HSK-A 63/0001	-	1,6	UE5-HSK63-90/1	5037264	1,5	T0600-2B-32/1	5037207
			T0600-MQ2-120/HSK-A 63/0002	-	2,3	UE5-HSK63-90/2	5039009	2,0	T0600-2B-32/2	5041398
8	120	36	T0800-MQ2-120/HSK-A 63/0001	5072972	1,6	UE5-HSK63-90/1	5037264	1,5	T0800-2B-40/1	5037266
			T0800-MQ2-120/HSK-A 63/0002	-	2,3	UE5-HSK63-90/2	5039009	2,0	T0800-2B-40/2	5038976
10	120	40	T1000-MQ2-120/HSK-A 63/0001	-	1,6	UE5-HSK63-85/1	5044847	1,5	T1000-2B-50/1	5041389
			T1000-MQ2-120/HSK-A 63/0002	-	2,3	UE5-HSK63-85/2	5037300	2,0	T1000-2B-50/2	5037290
12	120	45	T1200-MQ2-120/HSK-A 63/0001	-	1,6	UE5-HSK63-79/1	5045174	1,5	T1200-2B-63/1	5041379
			T1200-MQ2-120/HSK-A 63/0002	5072397	2,3	UE5-HSK63-79/2	5039011	2,0	T1200-2B-63/2	5037301
			T1200-MQ2-120/HSK-A 63/0003	-	3,4	UE5-HSK63-79/3	5037303	3,0	T1200-2B-63/3	5041250
14	120	45	T1400-MQ2-120/HSK-A 63/0001	-	1,6	UE5-HSK63-79/1	5045174	1,5	T1400-2B-63/1	5041377
			T1400-MQ2-120/HSK-A 63/0002	-	2,3	UE5-HSK63-79/2	5039011	2,0	T1400-2B-63/2	5041378
			T1400-MQ2-120/HSK-A 63/0003	5132223	3,4	UE5-HSK63-79/3	5037303	3,0	T1400-2B-63/3	5037323
16	120	48	T1600-MQ2-120/HSK-A 63/0001	-	1,6	UE5-HSK63-74/1	5069074	1,5	T1600-2B-63/1	5041376
			T1600-MQ2-120/HSK-A 63/0002	5080820	2,3	UE5-HSK63-74/2	5039010	2,0	T1600-2B-63/2	5037356
			T1600-MQ2-120/HSK-A 63/0003	-	3,4	UE5-HSK63-74/3	5037327	3,0	T1600-2B-63/3	5037325
18	120	48	T1800-MQ2-120/HSK-A 63/0001	5069152	1,6	UE5-HSK63-74/1	5069074	1,5	T1800-2B-63/1	5041375
			T1800-MQ2-120/HSK-A 63/0002	-	2,3	UE5-HSK63-74/2	5039010	2,0	T1800-2B-63/2	5041236
			T1800-MQ2-120/HSK-A 63/0003	-	3,4	UE5-HSK63-74/3	5037327	3,0	T1800-2B-63/3	5037329
20	120	50	T2000-MQ2-120/HSK-A 63/0002	-	2,3	UE5-HSK63-70/2	-	2,0	T2000-2B-63/2	5041382
			T2000-MQ2-120/HSK-A 63/0003	-	3,4	UE5-HSK63-70/3	-	3,0	T2000-2B-63/3	5041400
			T2000-MQ2-120/HSK-A 63/0004	-	4,6	UE5-HSK63-70/4	5043481	4,0	T2000-2B-63/4	5037338

Im Lieferumfang enthalten: Übernahmeeinheit & Einstellschraube  
 Delivery package: supply unit & setting screw





MMS 2-Kanal-System **Schrumpffutter**  
 MQL 2-Channel-System **Shrink Chucks**



Schrumpffutter Shrink Chucks				G2.5/ 25.000			max. 24.000		CHIP	4,5°	Übernahmeeinheit Supply unit	Axiale Einstellschraube Setting screw		
D1 [mm]	A [mm]	L1 [mm]	Bezeichnung Designation	Ident No.	di	UE-Type BILZ	Ident No.	Skt	AES-Type BILZ	Ident No.				
6	160	36	T0600-MQ2-160/HSK-A 63/0001	5069141	1,6	UE5-HSK63-130/1	5037370	1,5	T0600-2B-32/1	5037207				
			T0600-MQ2-160/HSK-A 63/0002	-	2,3	UE5-HSK63-130/2	5039133	2,0	T0600-2B-32/2	5041398				
8	160	36	T0800-MQ2-160/HSK-A 63/0001	5072395	1,6	UE5-HSK63-130/1	5037370	1,5	T0800-2B-40/1	5037266				
			T0800-MQ2-160/HSK-A 63/0002	-	2,3	UE5-HSK63-130/2	5039133	2,0	T0800-2B-40/2	5038976				
10	160	40	T1000-MQ2-160/HSK-A 63/0001	5069142	1,6	UE5-HSK63-125/1	-	1,5	T1000-2B-50/1	5041389				
			T1000-MQ2-160/HSK-A 63/0002	-	2,3	UE5-HSK63-125/2	5041254	2,0	T1000-2B-50/2	5037290				
12	160	45	T1200-MQ2-160/HSK-A 63/0001	5072399	1,6	UE5-HSK63-119/1	5072402	1,5	T1200-2B-63/1	5041379				
			T1200-MQ2-160/HSK-A 63/0002	-	2,3	UE5-HSK63-119/2	5041246	2,0	T1200-2B-63/2	5037301				
			T1200-MQ2-160/HSK-A 63/0003	-	3,4	UE5-HSK63-119/3	5041251	3,0	T1200-2B-63/3	5041250				
14	160	45	T1400-MQ2-160/HSK-A 63/0001	-	1,6	UE5-HSK63-119/1	5072402	1,5	T1400-2B-63/1	5041377				
			T1400-MQ2-160/HSK-A 63/0002	-	2,3	UE5-HSK63-119/2	5041246	2,0	T1400-2B-63/2	5041378				
			T1400-MQ2-160/HSK-A 63/0003	-	3,4	UE5-HSK63-119/3	5041251	3,0	T1400-2B-63/3	5037323				
16	160	48	T1600-MQ2-160/HSK-A 63/0001	5069149	1,6	UE5-HSK63-114/1	5069071	1,5	T1600-2B-63/1	5041376				
			T1600-MQ2-160/HSK-A 63/0002	-	2,3	UE5-HSK63-114/2	-	2,0	T1600-2B-63/2	5037356				
			T1600-MQ2-160/HSK-A 63/0003	-	3,4	UE5-HSK63-114/3	5102531	3,0	T1600-2B-63/3	5037325				
18	160	48	T1800-MQ2-160/HSK-A 63/0001	5069153	1,6	UE5-HSK63-114/1	5069071	1,5	T1800-2B-63/1	5041375				
			T1800-MQ2-160/HSK-A 63/0002	-	2,3	UE5-HSK63-114/2	-	2,0	T1800-2B-63/2	5041236				
			T1800-MQ2-160/HSK-A 63/0003	-	3,4	UE5-HSK63-114/3	5102531	3,0	T1800-2B-63/3	5037329				
20	160	50	T2000-MQ2-160/HSK-A 63/0002	5069154	2,3	UE5-HSK63-110/2	5069072	2,0	T2000-2B-63/2	5041382				
			T2000-MQ2-160/HSK-A 63/0003	-	3,4	UE5-HSK63-110/3	-	3,0	T2000-2B-63/3	5041400				
			T2000-MQ2-160/HSK-A 63/0004	-	4,6	UE5-HSK63-110/4	5101838	4,0	T2000-2B-63/4	5037338				
25	160	56	T2500-MQ2-160/HSK-A 63/0002	-	2,3	UE5-HSK63-99/2	-	2,0	T2500-2B-63/2	5041384				
			T2500-MQ2-160/HSK-A 63/0003	-	3,4	UE5-HSK63-99/3	-	3,0	T2500-2B-63/3	5041385				
			T2500-MQ2-160/HSK-A 63/0004	-	4,6	UE5-HSK63-99/4	5037346	4,0	T2500-2B-63/4	5037344				
32	160	60	T3200-MQ2-160/HSK-A 63/0002	-	2,3	UE5-HSK63-94/2	5069073	2,0	T3200-2B-63/2	5041386				
			T3200-MQ2-160/HSK-A 63/0003	5069156	3,4	UE5-HSK63-94/3	-	3,0	T3200-2B-63/3	5041387				
			T3200-MQ2-160/HSK-A 63/0004	-	4,6	UE5-HSK63-94/4	-	4,0	T3200-2B-63/4	5041388				

Im Lieferumfang enthalten: Übernahmeeinheit & Einstellschraube  
 Delivery package: supply unit & setting screw